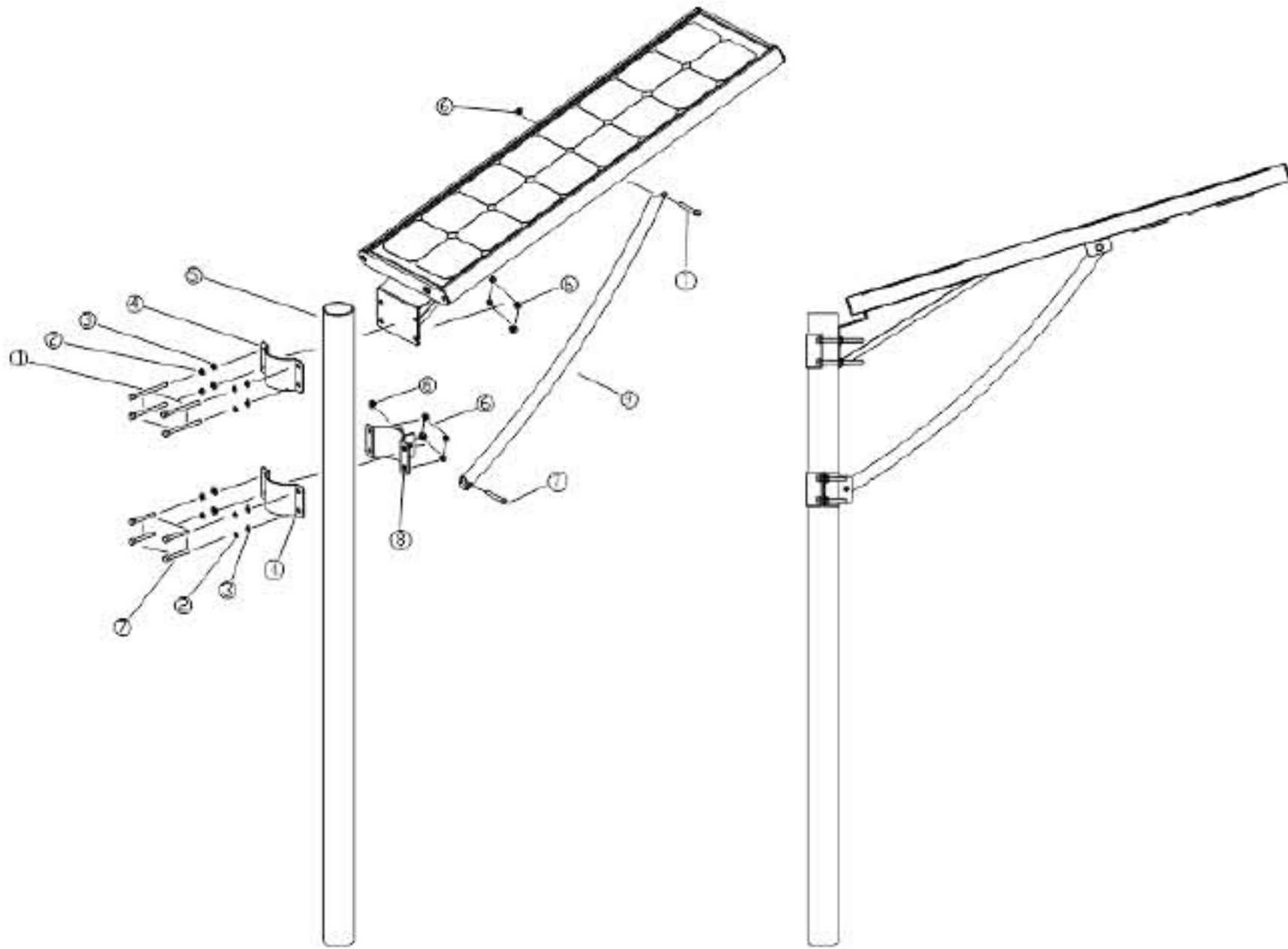
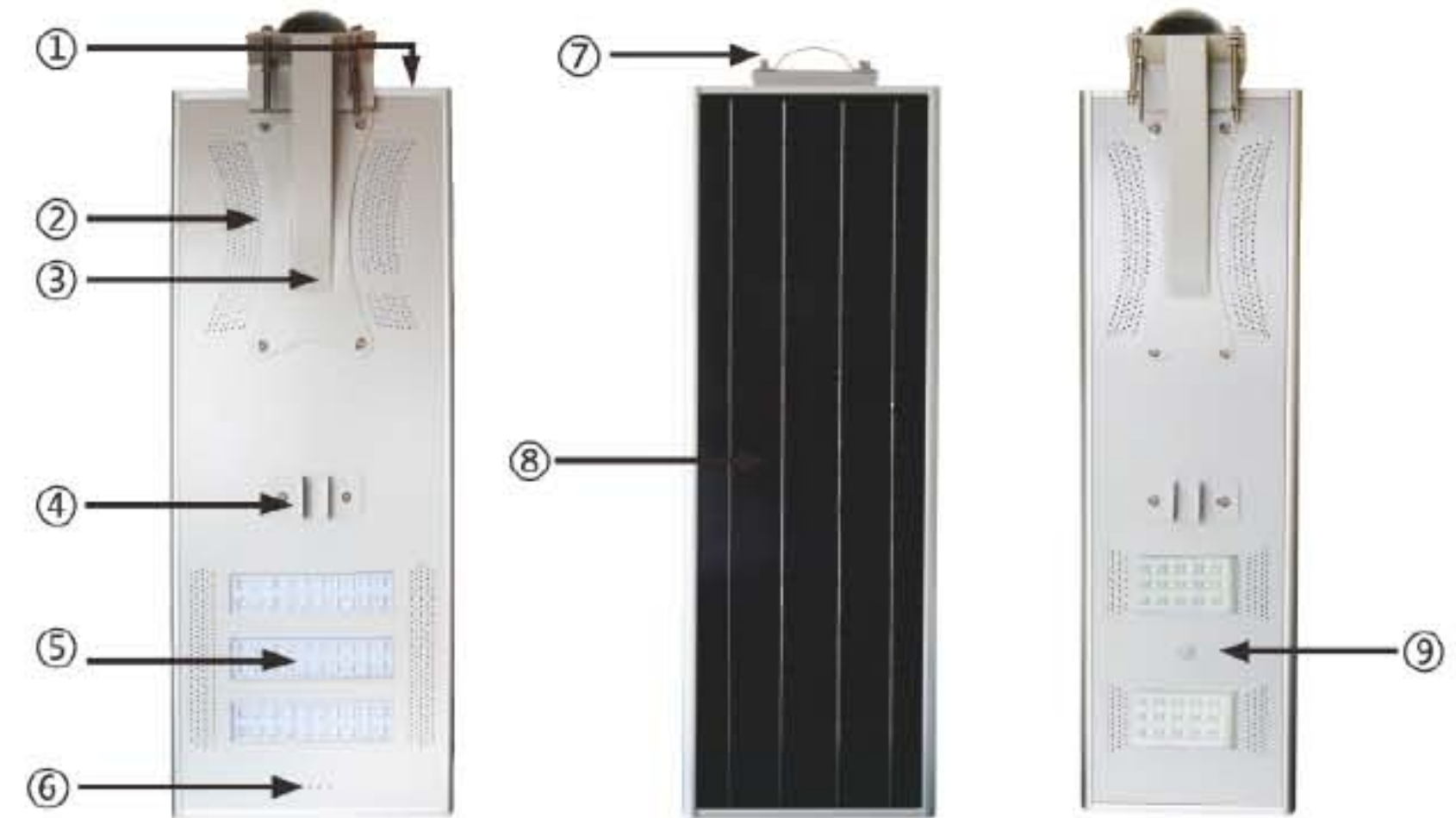


Installation ~~guide~~



- 1.Hexagon Socket Screw 2.Spring Washer 3.Spacer 4.Anchor Ear
 5.Pole 6.Nut 7.Hexagon Socket Screw 8.Anchor Ear2 9.Elbow Pipe

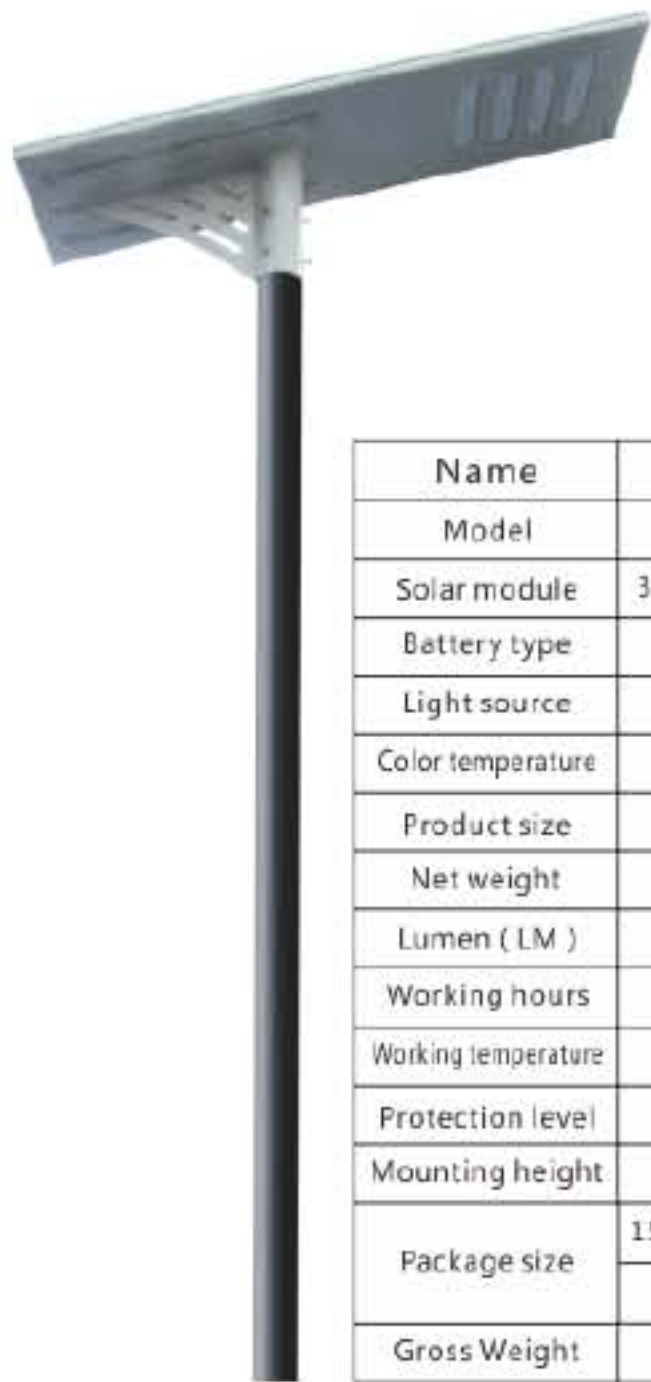
Resolution ~~schematic~~



Without PIR Motion Sensor

With PIR Motion Sensor

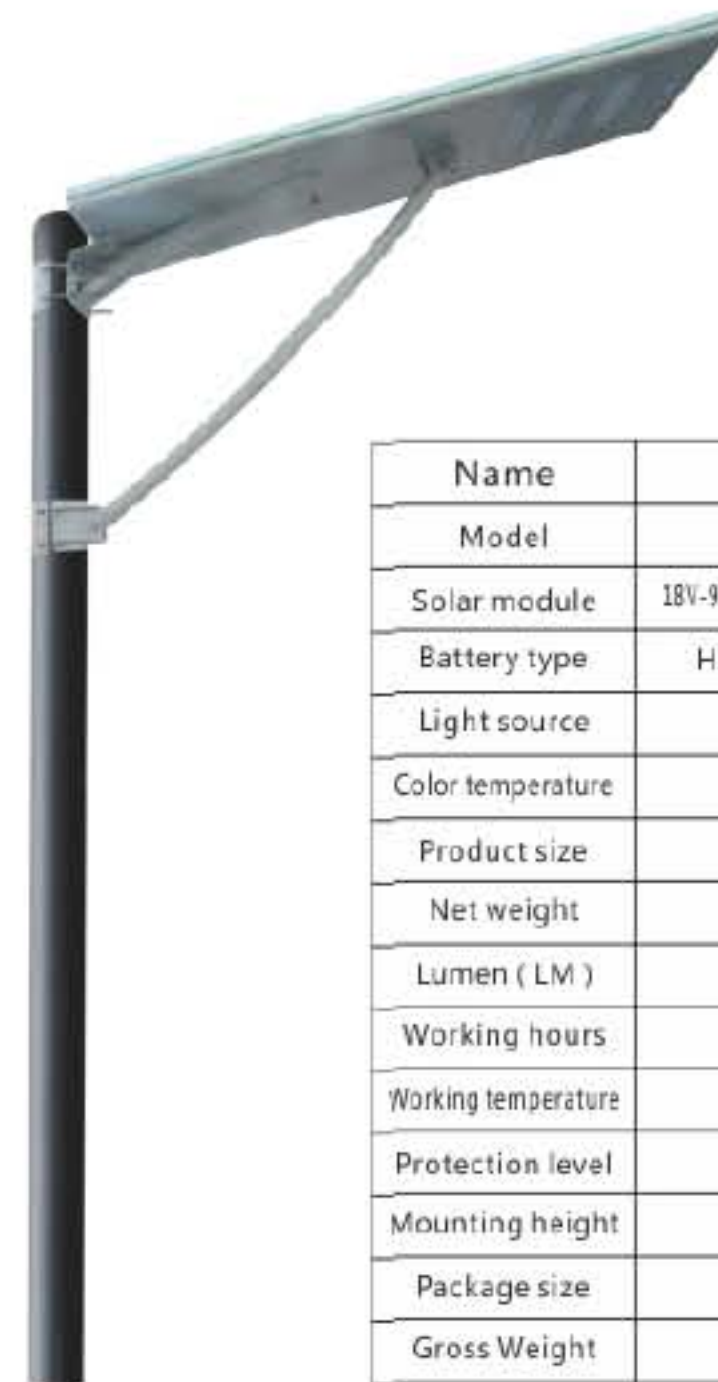
- ①Switch ②Panel ③Base ④Support Base ⑤Light Source
 ⑥ Battery Indicator ⑦Anchor Ear ⑧Solar Panels ⑨PIR motion sensor



80W

Integrated Solar Street Light

Name	Parameter
Model	80W
Solar module	33V-110W (high efficiency monocrystalline silicon)
Battery type	High efficiency lithium battery
Light source	80W USA Bridgelux
Color temperature	6500-7000K
Product size	1469*420*395mm
Net weight	28.3Kg
Lumen (LM)	8000-8800
Working hours	10-12hours , 3-5rainydays
Working temperature	-20°C~60°C
Protection level	TUV IP65
Mounting height	8-10m
Package size	1530*130*520mm (The LED lamp body)
	685*285*410mm (Fixed base)
Gross Weight	33Kg



60W

Integrated Solar Street Light

Name	Parameter
Model	60W
Solar module	18V-90W (high efficiency monocrystalline silicon)
Battery type	High efficiency lithium battery
Light source	60W USA Bridgelux
Color temperature	6500-7000K
Product size	1136*420*44mm
Net weight	18.6Kg
Lumen (LM)	6000-6600
Working hours	10-12hours , 3-5rainydays
Working temperature	-20°C~60°C
Protection level	TUV IP65
Mounting height	8-9m
Package size	1190*490*220mm
Gross Weight	21.8Kg





50W

Integrated Solar Street Light

Name	Parameter
Model	50W
Solar module	18V-80W (high efficiency monocrystalline silicon)
Battery type	High efficiency lithium battery
Light source	50W USA Bridgelux
Color temperature	6500-7000K
Product size	1136*420*44mm
Net weight	18.3Kg
Lumen (LM)	5000-5500
Working hours	10-12hours , 3-5rainy days
Working temperature	-20°C ~ 60°C
Protection level	TUV IP65
Mounting height	7-8m
Package size	1190*490*220mm
Gross Weight	21.5Kg



40W

Integrated Solar Street Light

Name	Parameter
Model	40W
Solar module	18V-50W (high efficiency monocrystalline silicon)
Battery type	High efficiency lithium battery
Light source	40W USA Bridgelux
Color temperature	6500-7000K
Product size	1136*295*44mm
Net weight	14.3Kg
Lumen (LM)	4000-4400
Working hours	10-12hours , 3-5rainy days
Working temperature	-20°C ~ 60°C
Protection level	TUV IP65
Mounting height	7-8m
Package size	1190*360*220mm
Gross Weight	16.6Kg



Coastal Lighting Project in a Country in Africa



New rural construction in Yunnan China



Project in Chinese Town



A villa in Shenzhen



Guangxi Industrial Zone



Beautiful village project in China





30W

Integrated Solar Street Light

Name	Parameter
Model	30W
Solar module	18V-60W (high efficiency monocrystalline silicon)
Battery type	High efficiency lithium battery
Light source	30W USA Bridgelux
Color temperature	6500-7000K
Product size	1136*295*44mm
Net weight	13.8Kg
Lumen (LM)	3000-3300
Working hours	10-12hours , 3-5rainy days
Working temperature	-20°C ~ 60°C
Protection level	TUV IP65
Mounting height	6-7m
Package size	1190*360*220mm
Gross Weight	16Kg



20W

Integrated Solar Street Light

Name	Parameter
Model	20W
Solar module	18V-50W (high efficiency monocrystalline silicon)
Battery type	High efficiency lithium battery
Light source	20W USA Bridgelux
Color temperature	6500-7000K
Product size	1136*295*44mm
Net weight	13Kg
Lumen (LM)	2000-2200
Working hours	10-12hours , 3-5rainy days
Working temperature	-20°C ~ 60°C
Protection level	TUV IP65
Mounting height	5-6m
Package size	1190*360*220mm
Gross Weight	15.3Kg



18W

Integrated Solar Garden Light

Name	Parameter
Model	18W
Solar module	18V-40W (high efficiency monocrystalline silicon)
Battery type	High efficiency lithium battery
Light source	20W USA Bridgelux
Color temperature	6500-7000K
Product size	920*295*44mm
Net weight	9.6Kg
Lumen (LM)	1800-1980
Working hours	10-12hours , 3-5rainydays
Working temperature	-20°C ~ 60°C
Protection level	TUV IP65
Mounting height	5-6m
Package size	940*350*210mm
Gross Weight	11.2Kg



15W

Integrated Solar Garden Light

Name	Parameter
Model	15W
Solar module	18V-30W (high efficiency monocrystalline silicon)
Battery type	High efficiency lithium battery
Light source	15W Taiwan Everlight
Color temperature	6500-7000K
Product size	780*295*44mm
Net weight	7Kg
Lumen (LM)	1500-1650
Working hours	10-12hours , 3-5rainydays
Working temperature	-20°C ~ 60°C
Protection level	TUV IP65
Mounting height	4-5m
Package size	800*350*210mm
Gross Weight	8.2Kg



Project in Yunnan of China



Project in Guangdong of China



A resort project in xiamen of China



Project in Hunan of China



A resort project in Hunan of China



Project in Laos

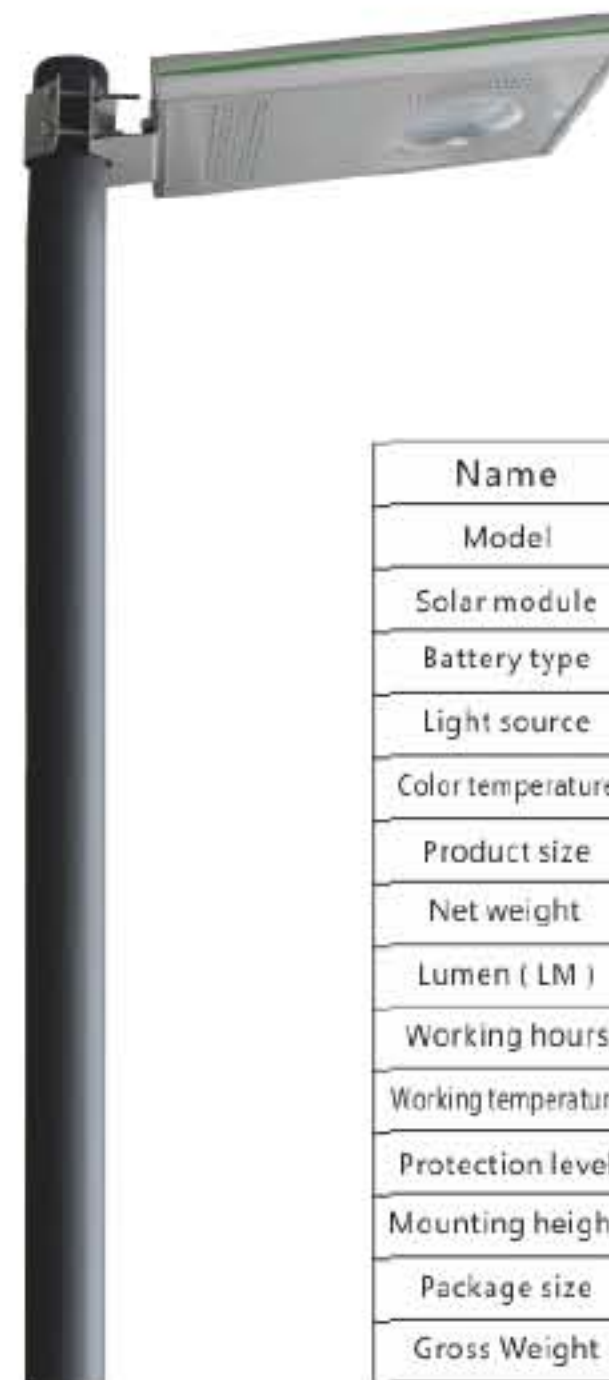




12W

Integrated Solar Garden Light

Name	Parameter
Model	12W
Solar module	18V-20W (high efficiency monocrystalline silicon)
Battery type	High efficiency lithium battery
Light source	12W Taiwan Everlight
Color temperature	6500-7000K
Product size	505*295*70mm
Net weight	4.6Kg
Lumen (LM)	1200-1320
Working hours	10-12hours , 3-5rainy days
Working temperature	-20°C~60°C
Protection level	TUVIP65
Mounting height	3-4m
Package size	570*350*135mm
Gross Weight	5.4Kg



8W

Integrated Solar Garden Light

Name	Parameter
Model	8W
Solar module	18V-18W (high efficiency monocrystalline silicon)
Battery type	High efficiency lithium battery
Light source	8W Taiwan Everlight
Color temperature	6500-7000K
Product size	505*295*70mm
Net weight	4.6Kg
Lumen (LM)	800-880
Working hours	10-12hours , 3-5rainy days
Working temperature	-20°C~60°C
Protection level	TUVIP65
Mounting height	3-4m
Package size	570*350*135mm
Gross Weight	5.4Kg



A corner in Yunnan Province China



Shenzhen Industrial zone



Park in Canada



Community in Shenzhen China



Scenic spot in India



construction of new countryside in Yunnan

5W

Integrated Solar Garden Light

Name	Parameter
Model	5W
Solar module	9V-6W (high efficiency polycrystalline silicon)
Battery type	High efficiency lithium battery
Light source	5W Taiwan Everlight
Color temperature	6500-7000K
Product size	330*243*35mm
Net weight	2.1Kg
Lumen (LM)	500-550
Working hours	10-12hours , 2-3rainy days
Working temperature	-20°C ~ 60°C
Protection level	TUV IP65
Mounting height	2-2.5m
Package size	360*290*130mm
Gross Weight	2.8Kg



UFO 15W

Integrated Solar Garden Light

Name	Parameter
Model	UFO15W
Solar module	18V-25W (high efficiency monocrystalline silicon)
Battery type	High efficiency lithium battery
Light source	15W USA Bridgelux&Taiwan Everlight
Color temperature	6500-7000K
Product size	510*510*230mm
Net weight	8.2Kg
Lumen (LM)	1500-1550
Working hours	10-12hours , 3-5rainy days
Working temperature	-20°C ~ 60°C
Protection level	TUV IP65
Mounting height	3-4m
Package size	570*570*270mm
Gross Weight	10Kg



Shipment (1)



Shipment (2)



Shipment (3)



Shipment (4)